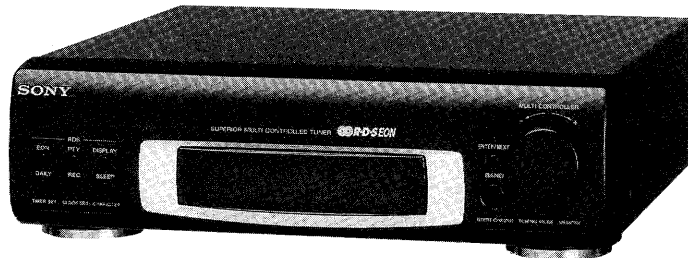


ST-EX10

SERVICE MANUAL

AEP Model
UK Model
E Model
Australian Model
Tourist Model



This set the tuner section in
MHC-EX5, EX7, EX9AV, EX10AV.

SPECIFICATIONS

FM stereo, FM/AM superheterodyne tuner

FM tuner section

Tuning range

East European model :

FM1 : 65-74MHz

FM2 : 87.5-108MHz

EXCEPT East European model : 87.5 - 108.0 MHz
(50kHz step)

Antenna terminals 75 ohm unbalanced

Intermediate frequency

10.7 MHz

AM tuner section

Tuning range

AEP, UK, East European, German model :

MW : 531-1,602kHz

LW : 153-279kHz

Italian model :

MW : 522-1,611kHz (9kHz step)

LW : 153-279kHz

E, Saudi Arabia, Hong Kong, Mexican, Malaysia,
Singapore, Australian, Tourist model :

MW : 531-1,602kHz (9kHz step)

530-1,710kHz (10kHz step)

SW : 5.95-17.9kHz

(E3, Saudi Arabia, Hong Kong,

Malaysia, Singapore, Tourist model)

Aerial

AM loop aerial

External aerial

terminals

Intermediate frequency

450 kHz

Dimensions

Approx. 280 x 85 x 290 mm (w/h/d)

(11 1/8 x 3 3/8 x 11 1/2 inches)

Mass



Approx. 1.6 kg (3 lb 9 oz)

STEREO TUNER
SONY[®]

TABLE OF CONTENTS

Section	Title	Page
1.	GENERAL	2
2.	ELECTRICAL ADJUSTMENTS	3
3.	EXPLANATION OF IC TERMINALS	5
4.	DIAGRAMS	
4-1.	Block Diagram	7
4-2.	Printed Wiring Boards	12
4-3.	Schematic Diagram	15
5.	EXPLODED VIEWS	21
6.	ELECTRICAL PARTS LIST	22

SAFETY-RELATED COMPONENT WARNING!!

COMPONENTS IDENTIFIED BY MARK  OR DOTTED LINE WITH MARK  ON THE SCHEMATIC DIAGRAMS AND IN THE PARTS LIST ARE CRITICAL TO SAFE OPERATION. REPLACE THESE COMPONENTS WITH SONY PARTS WHOSE PART NUMBERS APPEAR AS SHOWN IN THIS MANUAL OR IN SUPPLEMENTS PUBLISHED BY SONY.

SERVICING NOTE

• POWER SUPPLIED WHILE SERVICING

This unit does not work independently because of not having the power supply.

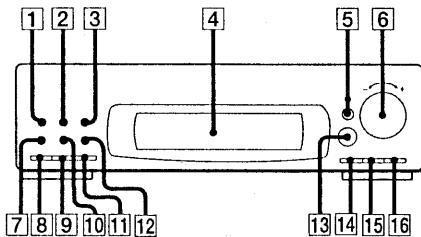
It must be unite together with the other units when repaired.

SECTION 1 GENERAL

This section is extracted from instruction manual.

Front Panel

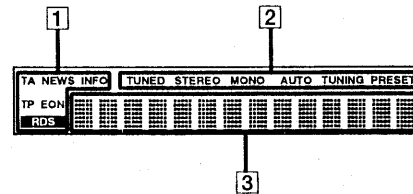
Tuner



- 1** EON (Enhanced Other Networks) button
- 2** PTY (Programme Type) button
(AEP, UK, German, Italian, East European model)
- 1** MEMORY button
- 2** STEREO/MONO button
(Australian, E, Saudi Arabia, Mexican, Malaysia, Singapore, Hong Kong, Tourist, CIS model)
- 3** DISPLAY button
- 4** Display window button
- 5** ENTER/NEXT button
- 6** MULTI CONTROLLER
- 7** DAILY button
- 8** TIMER SET button
- 9** CLOCK SET button
- 10** REC button
- 11** CHARACTER button
- 12** SLEEP button
- 13** BAND button
- 14** STEREO/MONO button
- 15** TUNING MODE button
- 16** MEMORY button
(AEP, UK, German, Italian, East European model)
- 14** MANUAL button (TUNING MODE)
- 15** AUTO button (TUNING MODE)
- 16** PRESET button (TUNING MODE)
(Australian, E, Saudi Arabia, Mexican, Malaysia, Singapore, Hong Kong, Tourist, CIS model)

Display Window

Tuner



- 1** RDS service indications
- 2** Tuner indication
- 3** Frequency/station name/time/timer indication

SECTION 2 ELECTRICAL ADJUSTMENTS

Precautions in Repairing

If the front unit fails, it is difficult to repair the inner circuits, so replace the entire front end unit.

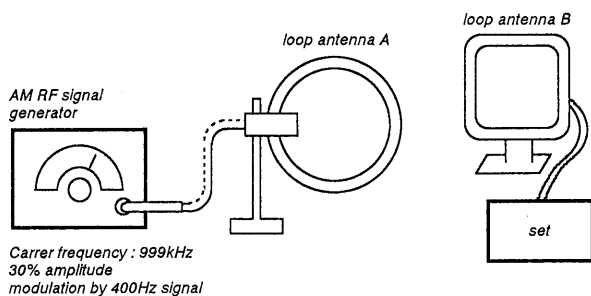
The FM TUNED level must be adjusted after the AM TUNED level adjustment has completed.

AM SECTION

AM Tuning Level Adjustment

Setting :

BAND switch : MW (AM)



Procedure :

1. Set loop antenna A so that the loop antenna B input level becomes $55\text{dB}\mu/\text{m}$.
2. Tune the set to 999kHz.
3. Adjust RV1 so that the TUNED indicator goes on.

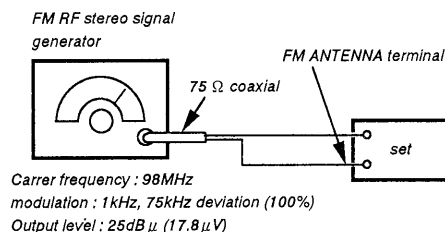
Adjustment Location : MAIN board. (See page 4)

FM SECTION

FM Tuning Level Adjustment

Setting :

BAND switch : FM



Procedure :

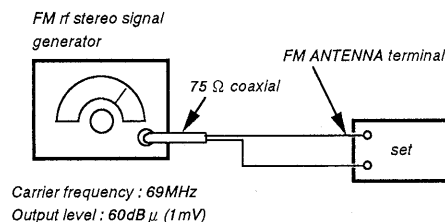
1. Tune the set to 98MHz.
2. Adjust RV2 so that the TUNED indicator goes on.

Adjustment Location : MAIN board. (See page 4)

FM POLAR Adjustment (CIS model only)

Setting :

BAND switch : FM

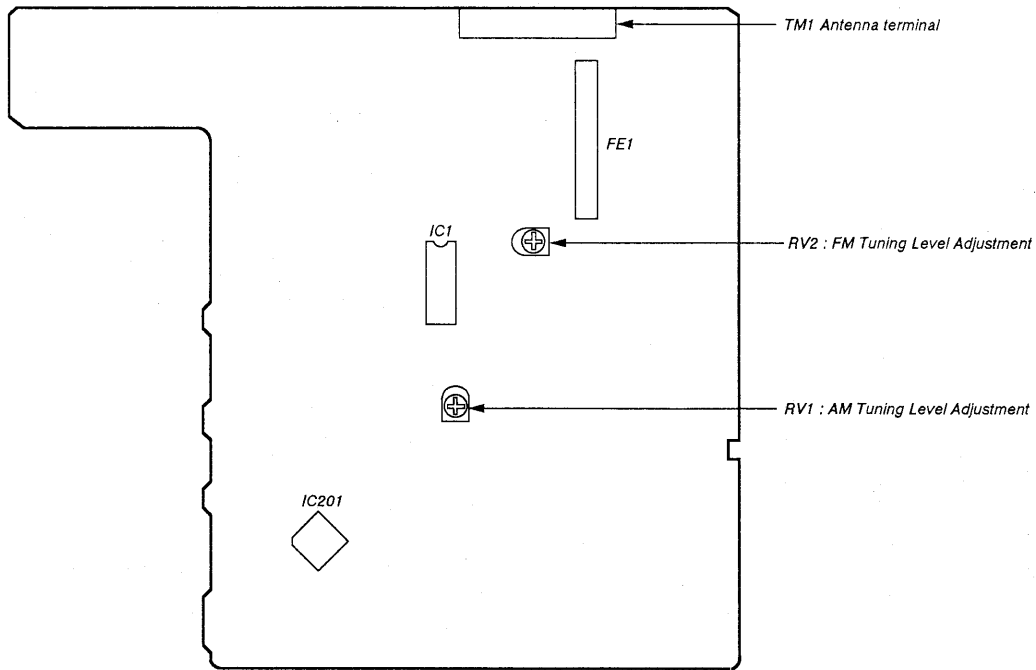


Procedure :

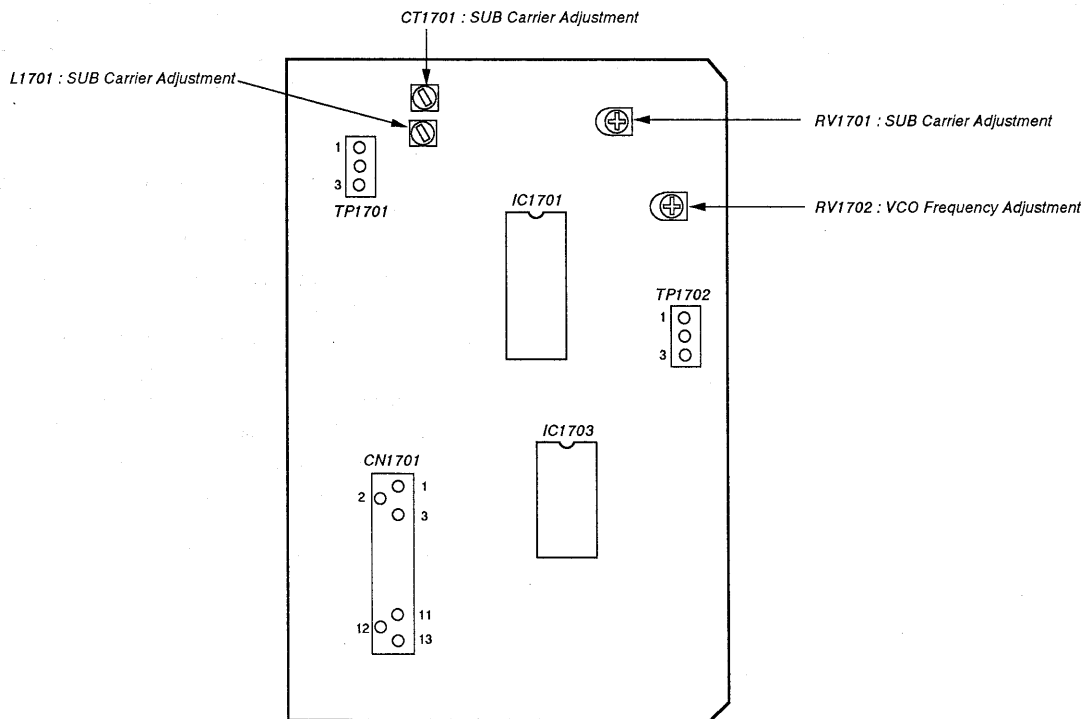
1. Connect the frequency counter to the TP1702 and adjust the RV1702 for a frequency of $31.25\text{kHz} \pm 50\text{Hz}$.
2. Connect the VTVM to the TP1701, receive the signal of $69\text{MHz} \pm 1\text{kHz}$ (1kHz dev.) and adjust the reading of the VTVM to 0dB.
3. Set the modulation frequency of the FM RF signal generator to 31.25kHz (10kHz dev.) and adjust the L1701 and CT1701 so that the reading of the VTVM is 0dB.
4. Adjust the RV1701 so that the reading of the VTVM to 14dB.
5. Check that the separation between pins 13 and 11 of the CN1701 is more than 18dB.

Adjustment Location : POLAR board. (See page 4)

Adjustment Location :
【MAIN BOARD】 — Component side —



【POLAR BOARD】 — Component side —



SECTION 3 EXPLANATION OF IC TERMINALS

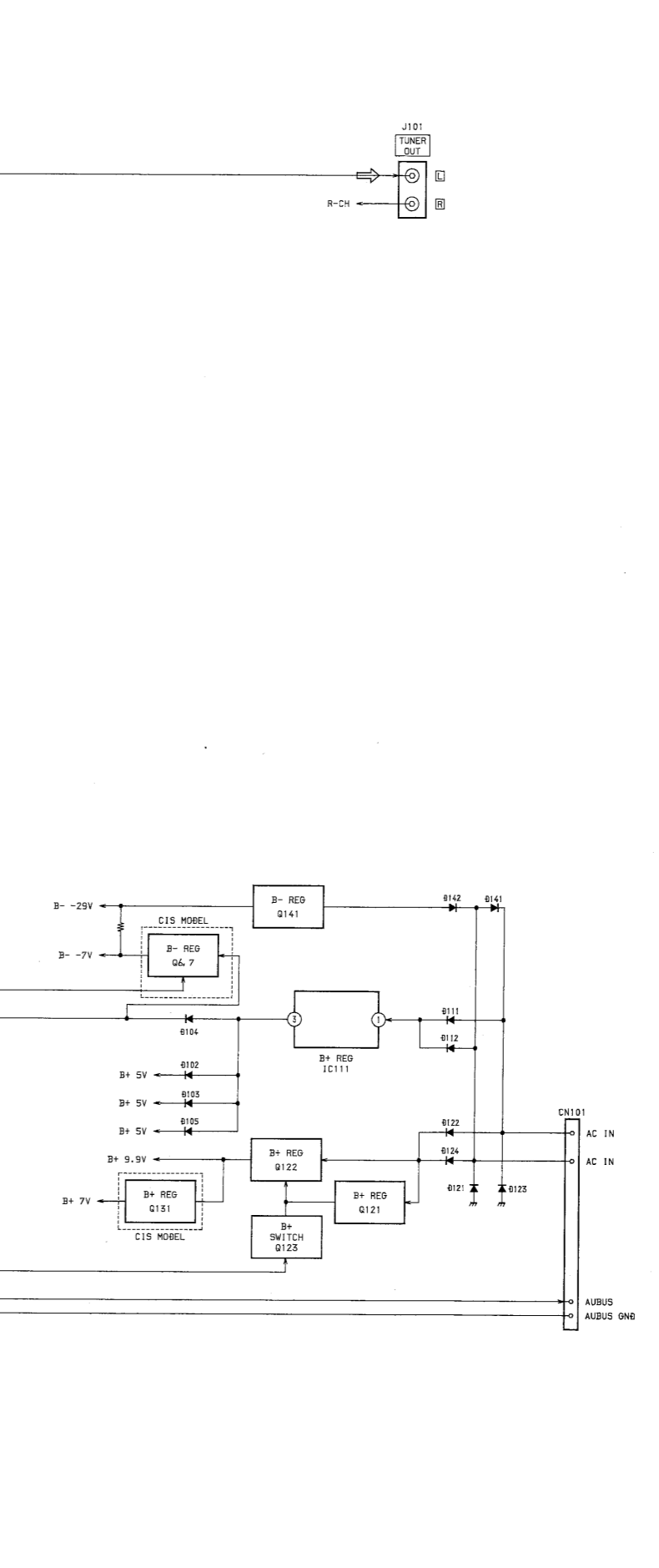
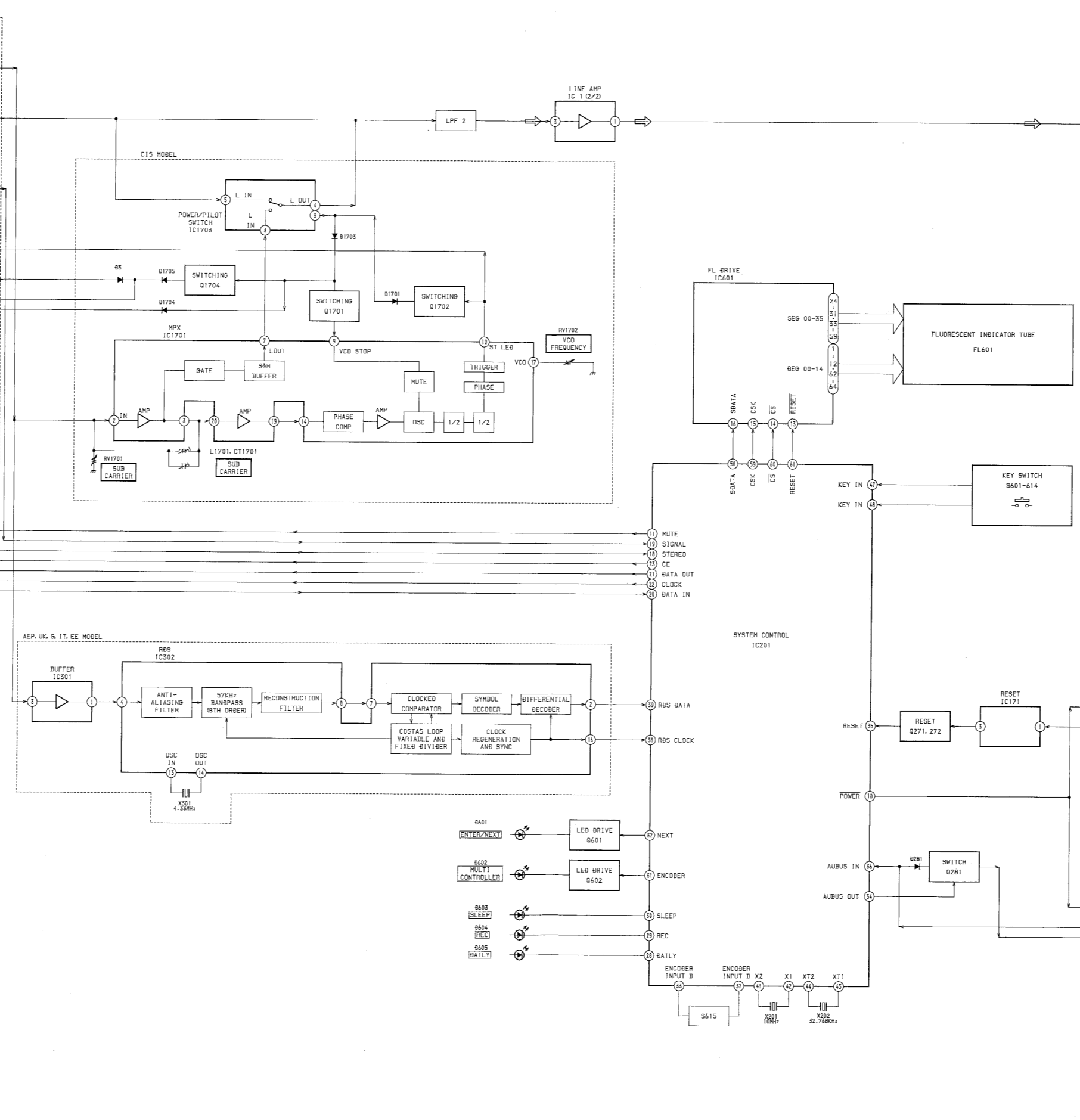
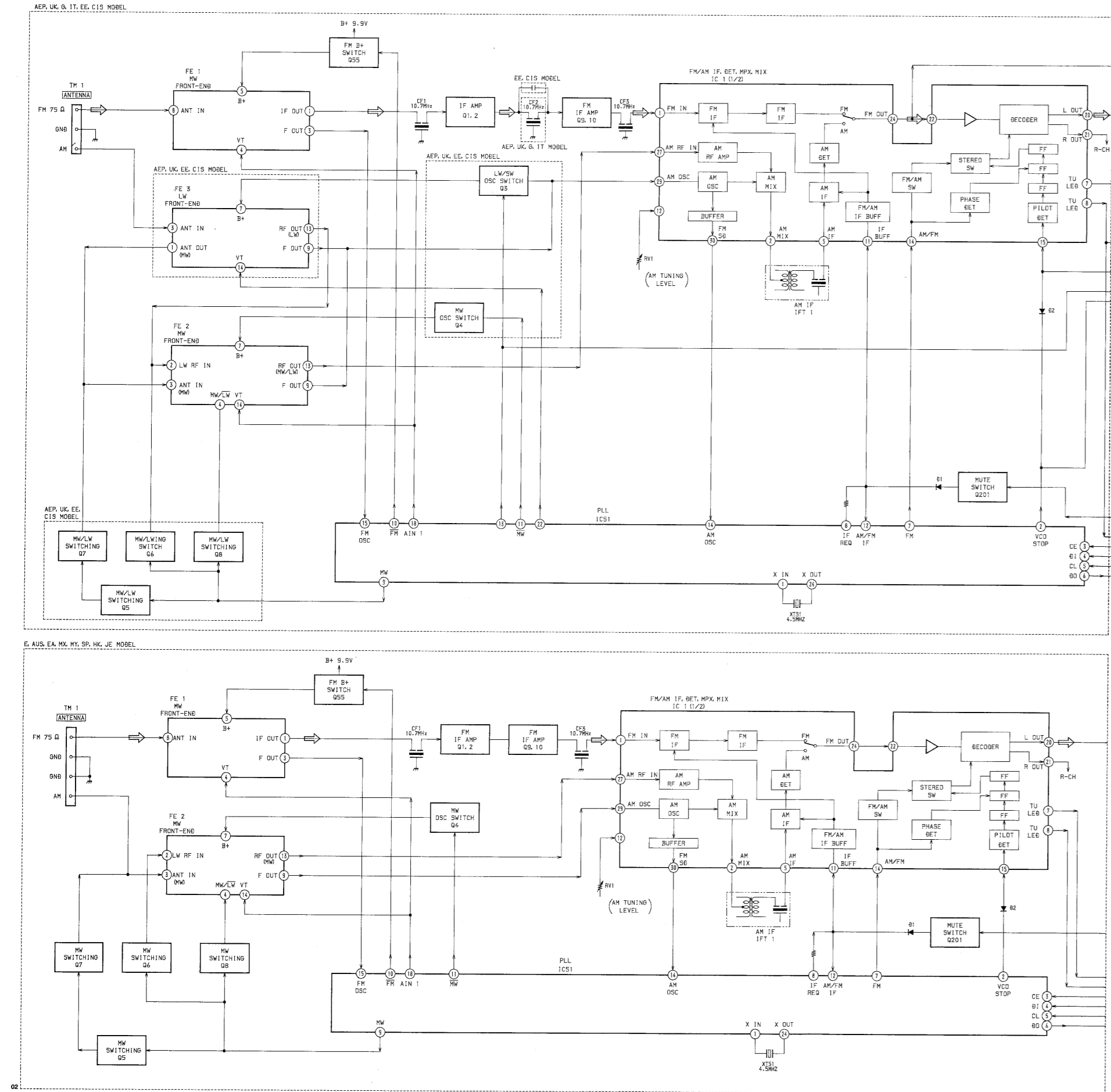
IC201 μ PD78013GC

Pin No.	Pin name	I/O	Description
1 - 4	MODEL	I	Model selection.
5	IF+50	I	Not used. (GND connected)
6	IF - 50	O	Not used. (GND connected)
7	BACK UP	I	Back up mode input terminal.
8	NC	-	Not used.
9	V _{ss}	-	Power supply (GND).
10	$\overline{\text{POWER}}$	O	Power ON/OFF control.
11	MUTE	O	Mute signal output terminal.
12	ANLOG BUS	-	Since it is not used.
13	NC	-	Not used. (Open)
14	NC	-	Not used. (Open)
15	AM MONO	-	Since it is not used.
16	AM/FM	-	Since it is not used.
17	IFNG	-	Since it is not used.
18	STEREO	I	FM/AM stereo identification. L : Stereo
19	SIGNAL	I	FM/AM tuning identification. L : Tuning
20	DATA IN	I	Serial data input from tuner. (PLL IC)
21	DATA OUT	O	Serial data output to tuner. (PLL IC)
22	CLOCK	O	System clock output to tuner. (PLL IC)
23	CE	O	Chip enable output to tuner. (PLL IC)
24	V _{ss}	-	Power supply. (GND)
25	NC	-	Not used. (Open)
26	NC	-	Not used. (Open)
27	ONCE	O	Once LED drive. (Since it is not used)
28	DAILY	O	Daily LED drive.
29	REC	O	REC LED drive.
30	SLEEP	O	Sleep LED drive.
31	ENCODER	O	Encoder LED drive.
32	NEXT	O	Next LED drive.
33	ENCODER IN B	I	Encoder B input terminal.
34	AU BUS OUT	O	Audio bus output terminal.
35	RESET	I	Reset terminal.
36	AU BUS IN	I	Audio bus input terminal.
37	EMCODER IN A	I	Encoder A input terminal.
38	RDS-CLOCK	I	RDS clock input terminal.
39	RDS-DATA	I	RDS data input terminal.
40	V _{DD}	-	Power supply. (+5V)
41	X2	O	System main clock. (10MHz)
42	X1	I	System main clock. (10MHz)
43	GND	-	Power supply. (GND)
44	XT2	O	System sub clock. (32.768kHz)
45	XT1	I	System sub clock. (32.768kHz)

Pin No.	Pin name	I/O	Description
46	GND	–	Power supply. (GND)
47	KEY IN K1	I	Key input terminal.
48	KEY IN K2	I	Key input terminal.
49	KEY IN	I	Key input terminal. (Since it is not used, it is +5V connected)
50	GND	–	Power supply. (GND)
51	GND	–	Power supply. (GND)
52	GND	–	Power supply. (GND)
53	GND	–	Power supply. (GND)
54	GND	–	Power supply. (GND)
55	AV _{DD}	–	Analog power supply. (+5V)
56	AV _{REF}	–	Analog reference voltage terminal.
57	GND	–	Analog power supply. (GND)
58	S DATA	O	Serial data output to FL DRIVER. (M66004FP)
59	SCK	O	System clock output to FL DRIVER. (M66004FP)
60	$\overline{\text{CS}}$	O	Serial Chip select output to FL DRIVER. (M66004FP)
61	RESET	O	Reset signal output to FL DRIVER. (M66004FP)
62	ERRORS	I	Serial data input terminal.
63	CORRECTION	O	Serial data output terminal.
64	RECEIVED	O	System clock output terminal.

SECTION 4
DIAGRAMS

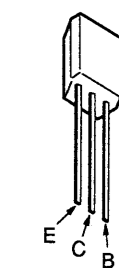
4-1. BLOCK DIAGRAM



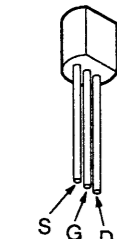
- Signal path.
- ◁ : FM
- Abbreviation
- EE : East European EA : Saudi Arabia
- JE : Tourist MX : Mexican
- IT : Italian MY : Malaysia
- G : German SP : Singapore
- AUS : Australian HK : Hong Kong

● SEMICONDUCTOR LEAD LAYOUTS

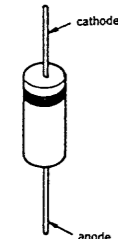
DTA114ES
DTC114ES
2SC2603-EF
2SC2669-OY



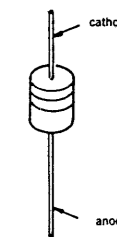
2SK246-GR3



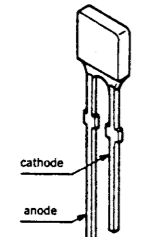
UZP-4.7B



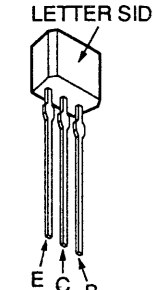
HZS7B3L
UZL-6L3
UZL-7M1-TA
UZL-27H
11ES2



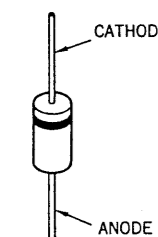
SEL5420E-TP15



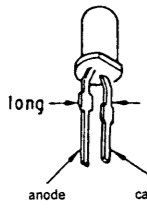
UN4111
2SA1175-HFE



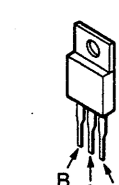
UZL-11M1-TA
1N4148M
1SS1585



TLO124



2SB1094-LK
2SD2012



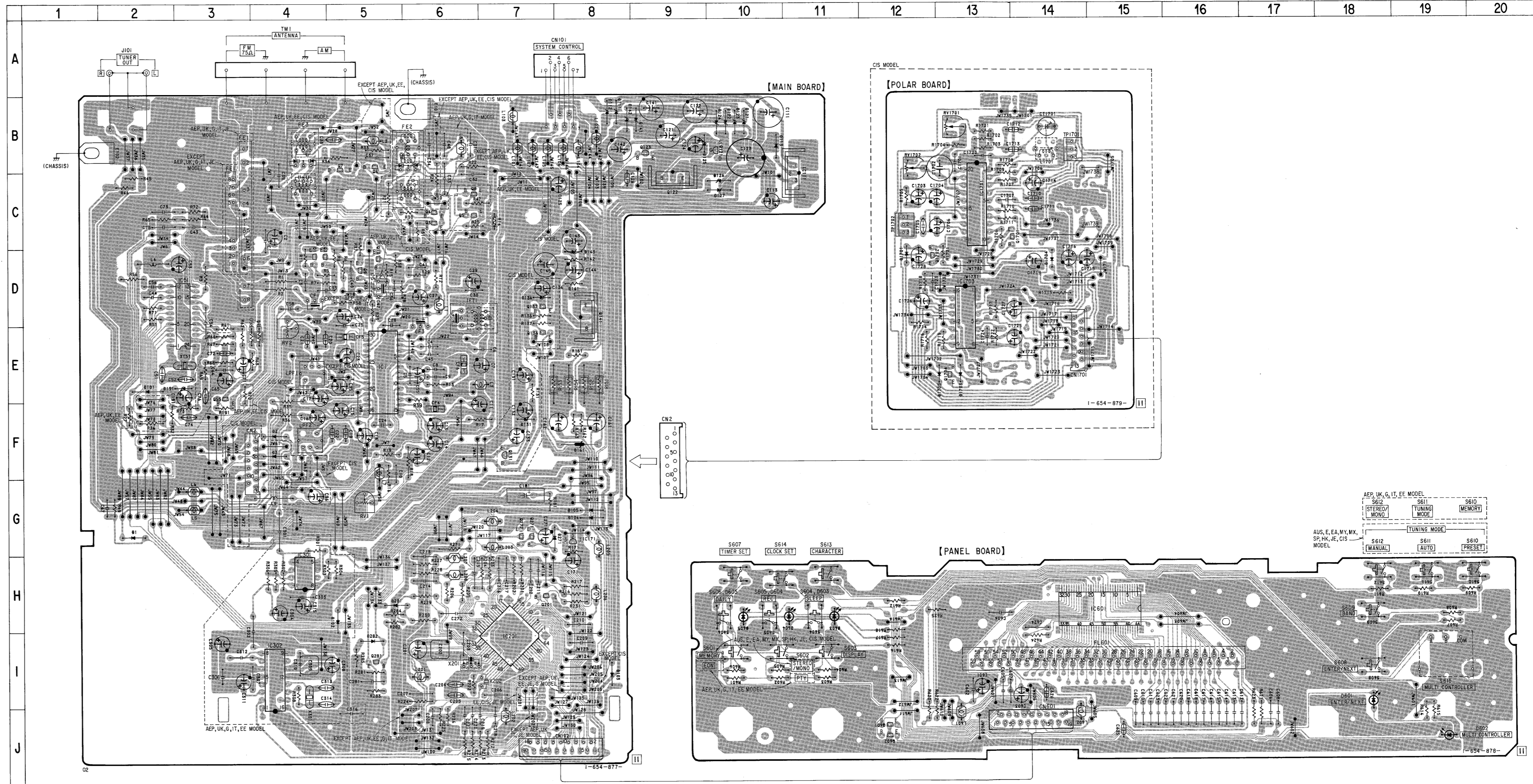
● SEMICONDUCTOR LOCATION

Ref. No.	Location	Ref. No.	Location
D1	G-1	IC171	G-8
D2	F-4	IC201	I-7
D3	F-4	IC301	H-4
D101	E-2	IC302	I-4
D102	H-5	IC601	H-15
D103	I-8	IC1701	C-13
D104	G-8	IC1703	D-13
D105	G-8		
D111	B-8		
D112	B-8	Q1	D-4
		Q2	D-4
D113	B-10	Q3	C-6
D121	B-10	Q4	C-6
D122	B-10	Q5	C-6
D123	B-10		
D124	B-10	Q6	B-5
		Q7	B-5
D125	B-9	Q8	C-6
D126	C-10	Q9	D-5
D127	C-10	Q10	D-5
D131	F-7		
D136	D-7	Q55	E-3
		Q121	B-10
D141	B-9	Q122	C-9
D142	B-8	Q123	B-9
D143	D-8	Q131	F-7
D161	F-8		
D191	E-3	Q136	E-7
		Q137	D-7
D271	G-7	Q141	D-8
D281	H-5	Q201	H-7
D282	I-5	Q271	G-7
D601	I-18		
D602	J-19	Q272	G-7
		Q281	I-5
D603	H-11	Q601	J-12
D604	H-11	Q602	J-12
D605	H-10	Q1701	C-14
D1701	D-12		
D1703	E-13	Q1702	D-12
		Q1704	E-13
D1704	D-14		
D1705	E-13		
IC1	E-5		
IC51	D-3		
IC111	C-11		

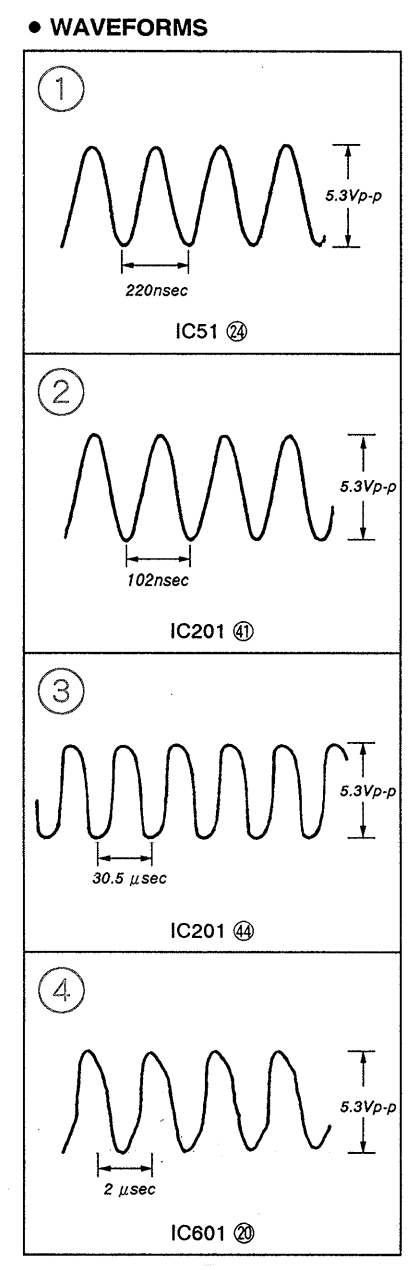
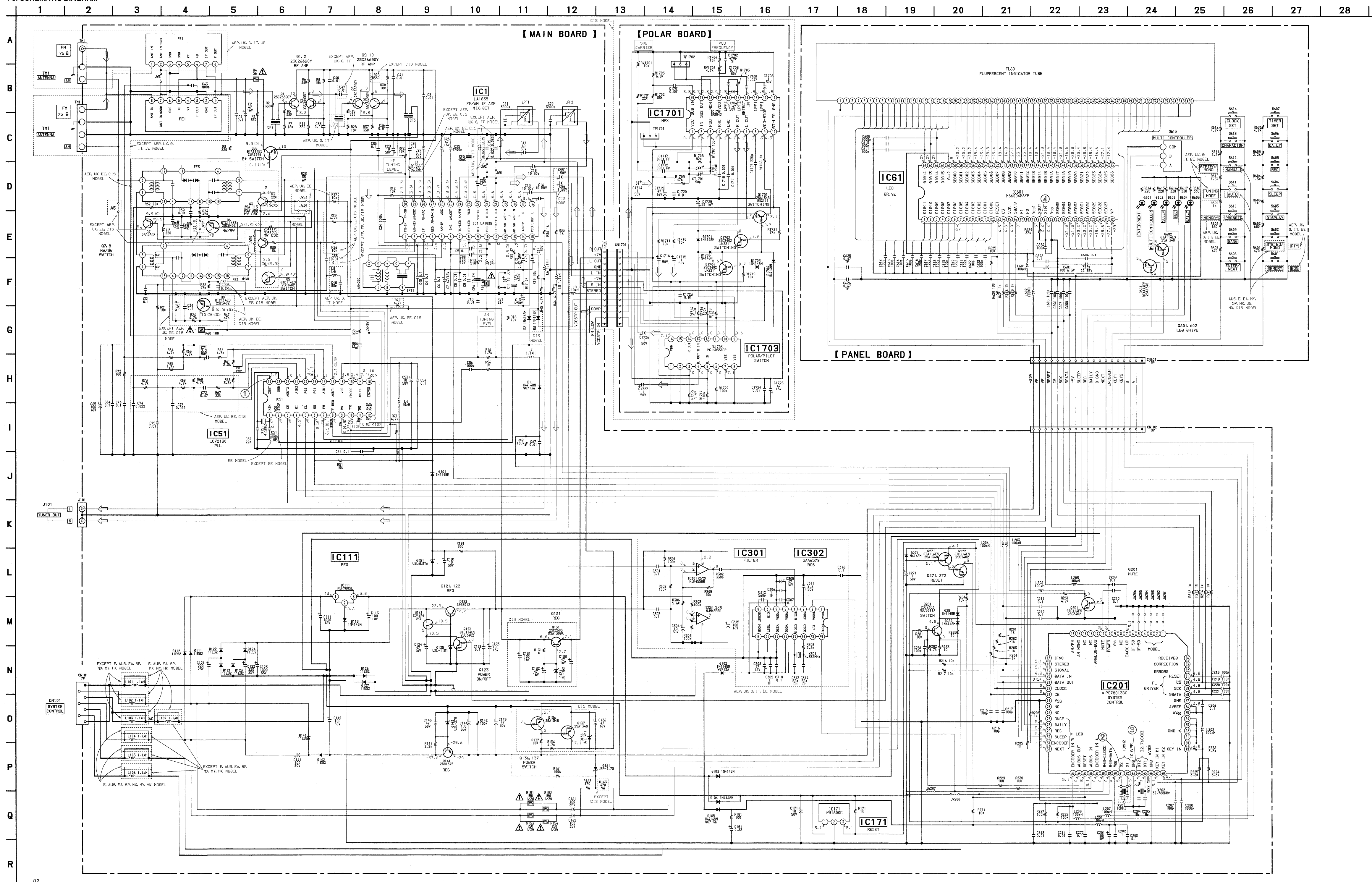
Note:

- : parts extracted from the component side.
- ◐ : Pattern on the side which is seen.
- Abbreviation
 - EE : East European
 - JE : Tourist
 - IT : Italian
 - G : German
 - AUS : Australian
 - EA : Saudi Arabia
 - MX : Mexican
 - MY : Malaysia
 - SP : Singapore
 - HK : Hong Kong

4-2. PRINTED WIRING BOARDS



4-3. SCHEMATIC DIAGRAM



Note :

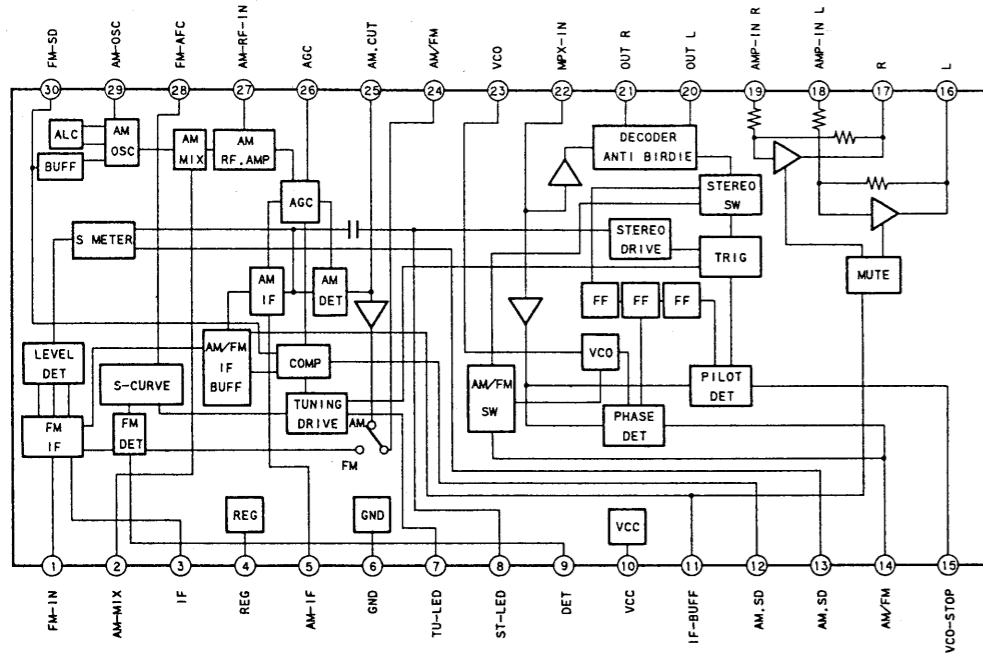
- All capacitors are in μ F unless otherwise noted. pF: μ F 50V or less are not indicated except for electrolytics and tantalums.
- All resistors are in Ω and $1/4$ W or less unless otherwise specified.
- Δ : internal component.
- \square : nonflammable resistor.

Note : The components identified by mark Δ or dotted line with mark Δ are critical for safety. Replace only with part number specified.

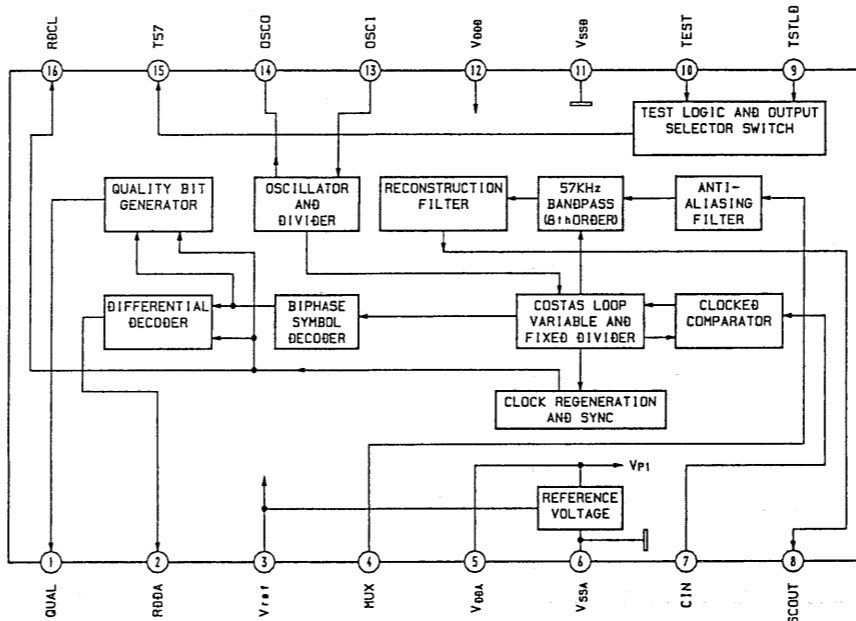
— : B+ Line
 --- : B - Line
 □ : adjustment for repair.
 Voltage and waveforms are dc with respect to ground under no-signal (detuned) conditions.
 () : FM
 () : AM
 Voltages are taken with a VOM (Input impedance 10M Ω). Voltage variations may be noted due to normal production tolerances.
 Waveforms are taken with a oscilloscope. Voltage variations may be noted due to normal production tolerances.
 Circled numbers refer to waveforms.
 Signal path.
 \rightarrow : FM
 Abbreviation
 EE : East European
 JE : Tourist
 IT : Italian
 G : German
 AUS : Australian
 EA : Saudi Arabia
 MX : Mexican
 MY : Malaysia
 SP : Singapore
 HK : Hong Kong

• IC BLOCK DIAGRAMS

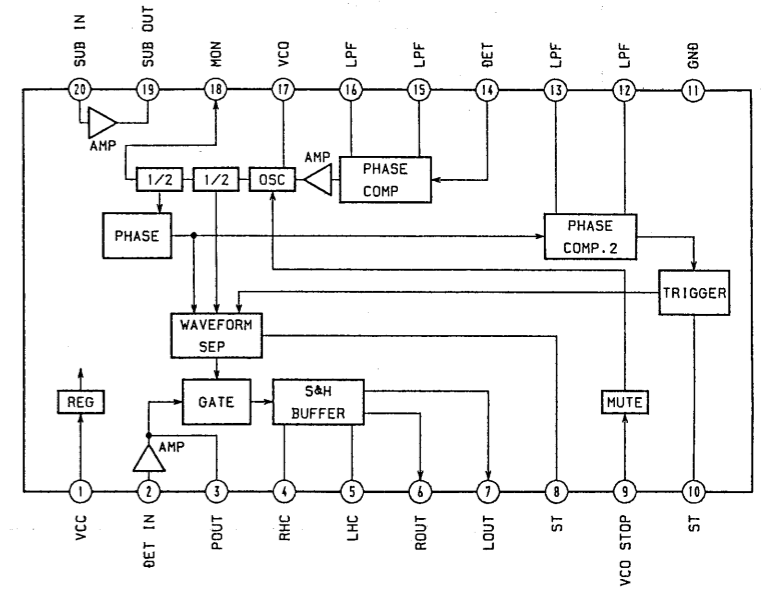
IC1 LA1835



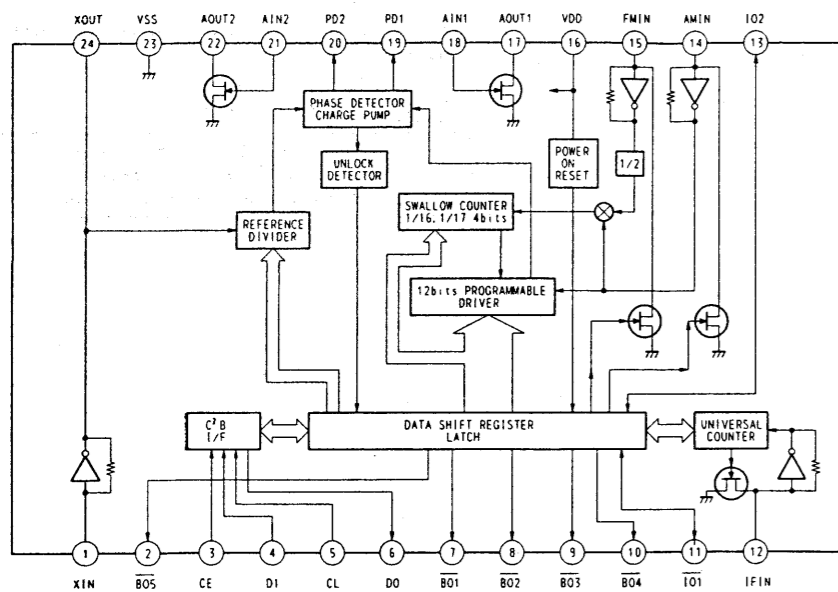
IC302 SAA6579



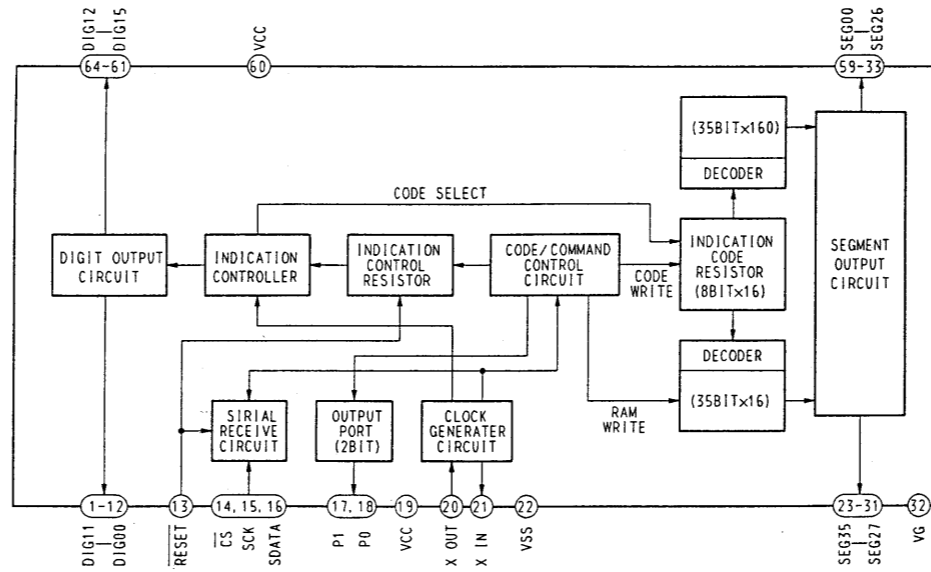
IC1701 IR3R42



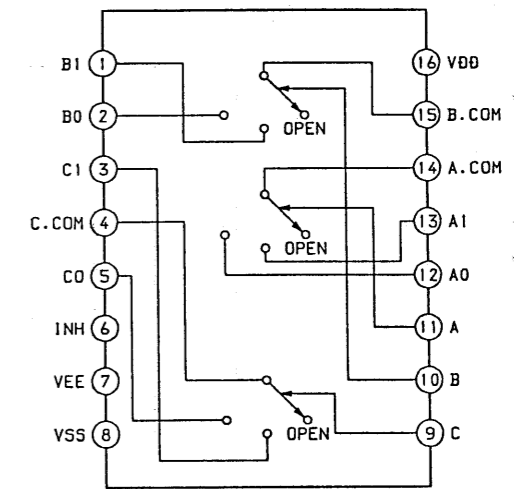
IC51 LC72130



IC601 M66004M6FP



IC1703 μ PD4053BC



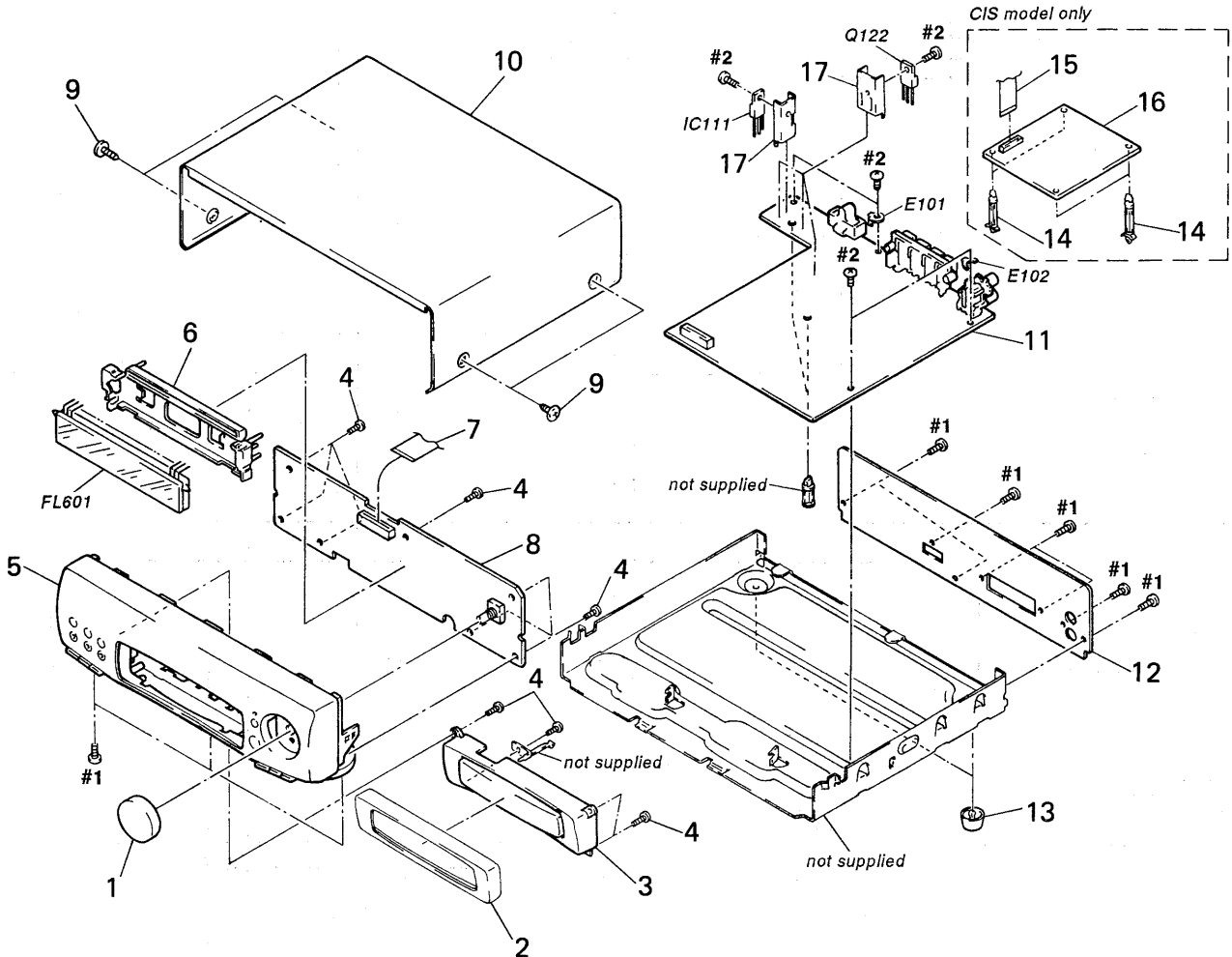
SECTION 5 EXPLODED VIEWS

NOTE :

- -XX, -X mean standardized parts, so they may have some difference from the original one.
- The construction parts of an assembled part are indicated with a collation number in the remark column.

- Items marked " * " are not stocked since they are seldom required for routine service. Some delay should be anticipated when ordering these items.
- The mechanical parts with no reference number in the exploded views are not supplied.
- Hardware (# mark) list and accessories and packing materials are given in the last of this parts list.

- Abbreviation
- EE : East European
 - JE : Tourist
 - IT : Italian
 - G : German
 - AUS : Australian
 - EA : Saudi Arabia
 - MX : Mexican
 - MY : Malaysia
 - SP : Singapore
 - HK : Hong Kong



Ref. No.	Part No.	Description	Remark
1	4-970-782-11	KNOB (JOG)	
2	4-970-932-01	PLATE (ST/CD), ORNAMENTAL	
3	4-970-785-01	WINDOW (FL)	
4	4-951-620-01	SCREW (2.6×8), +BVTP	
5	X-4945-419-1	PANEL ASSY, FRONT (AEP, UK, G, IT, EE)	
5	X-4945-429-1	PANEL ASSY, FRONT (E, AUS, EA, MX, MY, SP, HK, JE, CIS)	
* 6	4-970-787-11	HOLDER (FL)	
7	1-765-242-31	WIRE (FLAT TYPE) (19 CORE)	
* 8	A-4377-038-A	PANEL BOARD, COMPLETE	
9	3-363-099-01	SCREW (CASE 3 TP2)	
10	4-970-927-21	CASE	
* 11	A-4377-031-A	MAIN BOARD, COMPLETE (G)	
* 11	A-4377-032-A	MAIN BOARD, COMPLETE (IT)	
* 11	A-4377-033-A	MAIN BOARD, COMPLETE (AEP, UK)	

Ref. No.	Part No.	Description	Remark
* 11	A-4377-034-A	MAIN BOARD, COMPLETE (EE)	
* 11	A-4377-035-A	MAIN BOARD, COMPLETE (CIS)	
* 11	A-4377-036-A	MAIN BOARD, COMPLETE (E, AUS, EA, MX, MY, SP, HK)	
* 11	A-4377-844-A	MAIN BOARD, COMPLETE (JE)	
* 12	4-970-786-11	PANEL, BACK (AEP, UK, G, IT, EE, CIS)	
* 12	4-970-786-21	PANEL, BACK (E, AUS, EA, MX, MY, SP, HK, JE)	
13	4-965-822-01	FOOT	
* 14	4-924-098-91	HOLDER, PC BOARD (CIS)	
15	1-751-688-11	WIRE (FLAT TYPE) (13 CORE) (CIS)	
16	A-4369-349-A	POLAR BOARD, COMPLETE (CIS)	
* 17	3-309-144-21	HEAT SINK	
E101	1-537-770-11	TERMINAL BOARD, GROUND	
E102	1-537-770-11	TERMINAL BOARD, GROUND	
FL601	1-517-368-11	INDICATOR TUBE, FLUORESCENT	

MAIN

**SECTION 6
ELECTRICAL PARTS LIST**

NOTE :

- Due to standardization, replacements in the parts list may be different from the parts specified in the diagrams or the components used on the set.
- -XX, -X mean standardized parts, so they may have some difference from the original one.
- RESISTORS
All resistors are in ohms
METAL : Metal-film resistor
METAL OXIDE : Metal oxide-film resistor
F : nonflammable

- Items marked “ * ” are not stocked since they are seldom required for routine service. Some delay should be anticipated when ordering these items.
- SEMICONDUCTORS
In each case, u : μ , for example :
uA..... : μ A....., uPA..... : μ PA.....
uPB..... : μ PB....., uPC..... : μ PC.....
uPD..... : μ PD.....
- CAPACITORS
uF : μ F
- COILS
uH : μ H

The components identified by mark Δ or dotted line with mark Δ are critical for safety. Replace only with part number specified.

When indicating parts by reference number, please include the board.

- Abbreviation
EE : East European EA : Saudi Arabia
JE : Tourist MX : Mexican
IT : Italian MY : Malaysia
G : German SP : Singapore
AUS : Australian HK : Hong Kong

Ref.No.	Part No.	Description	Remark
*	A-4377-031-A	MAIN BOARD, COMPLETE (G)	
*	A-4377-032-A	MAIN BOARD, COMPLETE (IT)	
*	A-4377-033-A	MAIN BOARD, COMPLETE (AEP, UK)	
*	A-4377-034-A	MAIN BOARD, COMPLETE (EE)	
*	A-4377-035-A	MAIN BOARD, COMPLETE (CIS)	
*	A-4377-036-A	MAIN BOARD, COMPLETE (E, AUS, EA, MX, MY, SP, HK)	
*	A-4377-844-A	MAIN BOARD, COMPLETE (JE) ***** < CAPACITOR >	
C1	1-164-159-11	CERAMIC 0.1uF	50V
C2	1-126-967-11	ELECT 47uF	20% 16V
C3	1-162-306-11	CERAMIC 0.01uF	30% 16V
C4	1-164-159-11	CERAMIC 0.1uF	50V
C5	1-164-159-11	CERAMIC 0.1uF	50V
C6	1-164-159-11	CERAMIC 0.1uF	50V
C7	1-126-967-11	ELECT 47uF	20% 16V
C8	1-162-306-11	CERAMIC 0.01uF	30% 16V
C9	1-162-306-11	CERAMIC 0.01uF	30% 16V
C10	1-162-306-11	CERAMIC 0.01uF	30% 16V
C11	1-126-964-11	ELECT 10uF	20% 50V
C12	1-124-902-00	ELECT 0.47uF	20% 50V
C13	1-124-903-11	ELECT 1uF	20% 50V
C14	1-124-903-11	ELECT 1uF	20% 50V
C15	1-126-964-11	ELECT 10uF	20% 50V
C16	1-126-964-11	ELECT 10uF	20% 50V
C17	1-126-964-11	ELECT 10uF	20% 50V
C18	1-126-964-11	ELECT 10uF	20% 50V
C19	1-136-160-00	FILM 0.039uF	5% 50V (AEP, UK, G, IT)
C19	1-136-158-00	FILM 0.027uF	5% 50V (E, AUS, EA, MX, MY, SP, HK, EE, JE, CIS)
C20	1-136-160-00	FILM 0.039uF	5% 50V (AEP, UK, G, IT)

Ref.No.	Part No.	Description	Remark
C20	1-136-158-00	FILM 0.027uF	5% 50V (E, AUS, EA, MX, MY, SP, HK, EE, JE, CIS)
C21	1-137-436-11	FILM 0.0039uF	5% 50V
C22	1-137-436-11	FILM 0.0039uF	5% 50V
C23	1-124-903-11	ELECT 1uF	20% 50V
C24	1-162-294-31	CERAMIC 0.001uF	10% 50V
C25	1-162-600-11	CERAMIC 0.0047uF	30% 16V
C26	1-126-967-11	ELECT 47uF	20% 16V
C27	1-126-111-11	ELECT 3.3uF	20% 50V
C28	1-164-159-11	CERAMIC 0.1uF	50V
C29	1-126-964-11	ELECT 10uF	20% 50V
C30	1-164-159-11	CERAMIC 0.1uF	50V
C31	1-164-159-11	CERAMIC 0.1uF	50V
C32	1-162-196-31	CERAMIC 5.6PF	10% 50V (AEP, UK, EE, CIS)
C32	1-162-198-31	CERAMIC 8.2PF	10% 50V (G, IT, E, AUS, EA, MX, MY, SP, HK, JE)
C33	1-162-306-11	CERAMIC 0.01uF	30% 16V (AEP, UK, EE, CIS)
C33	1-164-159-11	CERAMIC 0.1uF	50V (G, IT, E, AUS, EA, MX, MY, SP, HK, JE)
C34	1-164-159-11	CERAMIC 0.1uF	50V (AEP, UK, EE, CIS)
C35	1-162-306-11	CERAMIC 0.01uF	30% 16V
C36	1-162-306-11	CERAMIC 0.01uF	30% 16V
C37	1-162-301-11	CERAMIC 0.0015uF	30% 16V (AEP, UK, EE, CIS)
C38	1-102-120-00	CERAMIC 0.0018uF	10% 50V (AEP, UK, EE, CIS)
C39	1-162-306-11	CERAMIC 0.01uF	30% 16V (AEP, UK, EE, CIS)
C40	1-162-306-11	CERAMIC 0.01uF	30% 16V
C41	1-162-306-11	CERAMIC 0.01uF	30% 16V
C43	1-162-294-31	CERAMIC 0.001uF	10% 50V
C44	1-164-159-11	CERAMIC 0.1uF	50V
C45	1-164-159-11	CERAMIC 0.1uF	50V

Ref. No.	Part No.	Description	Remark	Ref. No.	Part No.	Description	Remark
C47	1-164-095-11	CERAMIC	0.01uF 10% 16V (EXCEPT AEP, UK, G, IT)	C202	1-136-177-00	FILM	1uF 5% 50V
C48	1-162-211-31	CERAMIC	33PF 5% 50V (AEP, UK, G, IT)	C203	1-164-159-11	CERAMIC	0.1uF 50V
C51	1-164-031-11	CERAMIC	33PF 5% 50V (EXCEPT EE)	C204	1-164-025-51	CERAMIC	18PF 5% 50V
C51	1-164-019-11	CERAMIC	10PF 0.5PF 50V (BE)	C205	1-164-025-51	CERAMIC	18PF 5% 50V
C52	1-164-027-11	CERAMIC	22PF 5% 50V	C206	1-164-159-11	CERAMIC	0.1uF 50V
C53	1-126-964-11	ELECT	10uF 20% 50V	C207	1-162-282-31	CERAMIC	100PF 10% 50V
C54	1-164-159-11	CERAMIC	0.1uF 50V	C208	1-162-294-31	CERAMIC	0.001uF 10% 50V
C55	1-126-933-11	ELECT	100uF 20% 10V	C209	1-164-159-11	CERAMIC	0.1uF 50V
C56	1-162-294-31	CERAMIC	0.001uF 10% 50V	C210	1-164-159-11	CERAMIC	0.1uF 50V
C58	1-162-306-11	CERAMIC	0.01uF 30% 16V	C211	1-164-159-11	CERAMIC	0.1uF 50V
C64	1-164-159-11	CERAMIC	0.1uF 50V	C212	1-164-159-11	CERAMIC	0.1uF 50V
C65	1-126-933-11	ELECT	100uF 20% 16V	C213	1-162-306-11	CERAMIC	0.01uF 30% 16V
C67	1-162-306-11	CERAMIC	0.01uF 30% 16V	C214	1-162-306-11	CERAMIC	0.01uF 30% 16V
C71	1-124-925-11	ELECT	2.2uF 20% 100V	C215	1-162-282-31	CERAMIC	100PF 10% 50V
C72	1-136-173-00	FILM	0.47uF 5% 50V (AEP, UK, EE, CIS)	C216	1-162-282-31	CERAMIC	100PF 10% 50V
C73	1-164-159-11	CERAMIC	0.1uF 50V	C217	1-162-282-31	CERAMIC	100PF 10% 50V
C74	1-164-097-11	CERAMIC	0.022uF 50V (AEP, UK, EE, CIS)	C218	1-162-282-31	CERAMIC	100PF 10% 50V
C75	1-162-306-11	CERAMIC	0.01uF 30% 16V	C219	1-162-282-31	CERAMIC	100PF 10% 50V
C76	1-164-097-11	CERAMIC	0.022uF 50V (AEP, UK, EE, CIS)	C220	1-162-282-31	CERAMIC	100PF 10% 50V
C95	1-124-903-11	ELECT	1uF 20% 50V (CIS)	C221	1-162-282-31	CERAMIC	100PF 10% 50V
C96	1-124-903-11	ELECT	1uF 20% 50V (CIS)	C271	1-124-903-11	ELECT	1uF 20% 50V
C111	1-126-952-11	ELECT	1000uF 20% 16V	C272	1-164-159-11	CERAMIC	0.1uF 50V
C113	1-126-933-11	ELECT	100uF 20% 10V	C281	1-162-282-31	CERAMIC	100PF 10% 50V
C121	1-104-666-11	ELECT	220uF 20% 25V	C301	1-164-159-11	CERAMIC	0.1uF 50V (AEP, UK, G, IT, EE)
C122	1-104-666-11	ELECT	220uF 20% 25V	C302	1-162-288-31	CERAMIC	330PF 10% 50V (AEP, UK, G, IT, EE)
C123	1-126-952-11	ELECT	1000uF 20% 35V	C303	1-164-159-11	CERAMIC	0.1uF 50V (AEP, UK, G, IT, EE)
C124	1-126-967-11	ELECT	47uF 20% 16V	C304	1-126-964-11	ELECT	10uF 20% 50V (AEP, UK, G, IT, EE)
C125	1-126-933-11	ELECT	100uF 20% 16V	C305	1-126-967-11	ELECT	47uF 20% 16V (AEP, UK, G, IT, EE)
C126	1-136-165-00	FILM	0.1uF 5% 50V	C306	1-136-177-00	FILM	1uF 5% 50V (AEP, UK, G, IT, EE)
C131	1-126-933-11	ELECT	100uF 20% 16V (CIS)	C307	1-164-159-11	CERAMIC	0.1uF 50V (AEP, UK, G, IT, EE)
C132	1-126-967-11	ELECT	47uF 20% 16V (CIS)	C308	1-126-967-11	ELECT	47uF 20% 16V (AEP, UK, G, IT, EE)
C133	1-126-967-11	ELECT	47uF 20% 16V (CIS)	C309	1-136-177-00	FILM	1uF 5% 50V (AEP, UK, G, IT, EE)
C136	1-126-803-11	ELECT	47uF 20% 10V (CIS)	C310	1-164-159-11	CERAMIC	0.1uF 50V (AEP, UK, G, IT, EE)
C141	1-124-122-11	ELECT	100uF 20% 50V	C311	1-124-925-11	ELECT	2.2uF 20% 100V (AEP, UK, G, IT, EE)
C142	1-124-122-11	ELECT	100uF 20% 50V	C312	1-162-291-31	CERAMIC	560PF 10% 50V (AEP, UK, G, IT, EE)
C143	1-126-967-11	ELECT	47uF 20% 50V	C313	1-101-884-00	CERAMIC	56PF 5% 50V (AEP, UK, G, IT, EE)
C144	1-126-948-11	ELECT	100uF 20% 35V	C314	1-101-884-00	CERAMIC	56PF 5% 50V (AEP, UK, G, IT, EE)
C145	1-126-967-11	ELECT	47uF 20% 50V				
C161	1-126-948-11	ELECT	100uF 20% 35V				
C162	1-126-948-11	ELECT	100uF 20% 35V				
C171	1-126-964-11	ELECT	10uF 20% 50V				
C181	1-125-705-11	CAP, DOUBLE LAYERS	0.22F				
C191	1-126-964-11	ELECT	10uF 20% 50V				
C201	1-126-933-11	ELECT	100uF 20% 10V				

MAIN

Ref. No.	Part No.	Description	Remark
C315	1-126-933-11	ELECT 100uF	20% 16V (AEP, UK, G, IT, EE)
C316	1-164-159-11	CERAMIC 0.1uF	50V (AEP, UK, G, IT, EE)
C621	1-162-282-31	CERAMIC 100PF	10% 50V
< FILTER >			
CF1	1-579-374-71	FILTER, CERAMIC (AEP, UK, G, IT)	
CF1	1-567-389-11	FILTER, CERAMIC (E, AUS, EA, MX, MY, SP, HK, EE, JE, CIS)	
CF2	1-760-393-11	FILTER, CERAMIC (AEP, UK, G, IT)	
CF3	1-760-393-11	FILTER, CERAMIC (AEP, UK, G, IT)	
CF3	1-567-389-11	FILTER, CERAMIC (E, AUS, EA, MX, MY, SP, HK, EE, JE, CIS)	
CF4	1-527-981-00	FILTER, CERAMIC	
CF5	1-577-075-11	OSCILLATOR, CERAMIC	
CF6	1-760-220-21	FILTER, CERAMIC	
< CONNECTOR >			
CN101	1-770-158-41	SOCKET, CONNECTOR 7P	
CN102	1-568-802-11	SOCKET, CONNECTOR 19P	
< DIODE >			
D1	8-719-987-63	DIODE 1N4148M (AEP:Made in Japan, E, AUS, EA, MX, MY, SP, HK, EE, JE, CIS)	
D1	8-719-815-85	DIODE 1S1585 (AEP:Made in France, UK, IT, G)	
D2	8-719-987-63	DIODE 1N4148M (AEP:Made in Japan, E, AUS, EA, MX, MY, SP, HK, EE, JE, CIS)	
D2	8-719-815-85	DIODE 1S1585 (AEP:Made in France, UK, IT, G)	
D3	8-719-987-63	DIODE 1N4148M (CIS)	
D101	8-719-987-63	DIODE 1N4148M (AEP:Made in Japan, E, AUS, EA, MX, MY, SP, HK, EE, JE, CIS)	
D101	8-719-815-85	DIODE 1S1585 (AEP:Made in France, UK, IT, G)	
D102	8-719-987-63	DIODE 1N4148M (AEP:Made in Japan, E, AUS, EA, MX, MY, SP, HK, EE, JE, CIS)	
D102	8-719-815-85	DIODE 1S1585 (AEP:Made in France, UK, IT, G)	
D103	8-719-987-63	DIODE 1N4148M (AEP:Made in Japan, E, AUS, EA, MX, MY, SP, HK, EE, JE, CIS)	
D103	8-719-815-85	DIODE 1S1585 (AEP:Made in France, UK, IT, G)	
D104	8-719-987-63	DIODE 1N4148M (AEP:Made in Japan, E, AUS, EA, MX, MY, SP, HK, EE, JE, CIS)	
D104	8-719-815-85	DIODE 1S1585 (AEP:Made in France, UK, IT, G)	
D105	8-719-987-63	DIODE 1N4148M (AEP:Made in Japan, E, AUS, EA, MX, MY, SP, HK, EE, JE, CIS)	
D105	8-719-815-85	DIODE 1S1585 (AEP:Made in France, UK, IT, G)	

Ref. No.	Part No.	Description	Remark
D111	8-719-200-82	DIODE 11ES2	
D112	8-719-200-82	DIODE 11ES2	
D113	8-719-987-63	DIODE 1N4148M (AEP:Made in Japan, E, AUS, EA, MX, MY, SP, HK, EE, JE, CIS)	
D113	8-719-815-85	DIODE 1S1585 (AEP:Made in France, UK, IT, G)	
D121	8-719-200-82	DIODE 11ES2	
D122	8-719-200-82	DIODE 11ES2	
D123	8-719-200-82	DIODE 11ES2	
D124	8-719-200-82	DIODE 11ES2	
D125	8-719-001-43	DIODE UZL-11M1-TA	
D126	8-719-200-82	DIODE 11ES2	
D127	8-719-200-82	DIODE 11ES2	
D131	8-719-933-48	DIODE HZS7B3L (CIS)	
D136	8-719-000-85	DIODE UZL-7M1-TA (CIS)	
D141	8-719-200-82	DIODE 11ES2	
D142	8-719-200-82	DIODE 11ES2	
D143	8-719-002-48	DIODE UZL-27H	
D161	8-719-014-48	DIODE UZP-4.7B	
D191	8-719-000-54	DIODE UZL-6L3	
D271	8-719-987-63	DIODE 1N4148M (AEP:Made in Japan, E, AUS, EA, MX, MY, SP, HK, EE, JE, CIS)	
D271	8-719-815-85	DIODE 1S1585 (AEP:Made in France, UK, IT, G)	
D281	8-719-987-63	DIODE 1N4148M (AEP:Made in Japan, E, AUS, EA, MX, MY, SP, HK, EE, JE, CIS)	
D281	8-719-815-85	DIODE 1S1585 (AEP:Made in France, UK, IT, G)	
D282	8-719-987-63	DIODE 1N4148M (AEP:Made in Japan, E, AUS, EA, MX, MY, SP, HK, EE, JE, CIS)	
D282	8-719-815-85	DIODE 1S1585 (AEP:Made in France, UK, IT, G)	
< FRONT END >			
FE1	1-693-253-21	FRONT END (4 GANG) (AEP, UK, G, IT)	
FE1	1-693-090-51	FRONT END (FM) (2 GANG) (E, AUS, EA, MX, MY, SP, HK)	
FE1	1-693-244-21	FRONT END (3 GANG) (EE, CIS)	
FE1	1-693-251-11	FRONT END (JE)	
FE2	1-239-261-12	ENCAPSULATED COMPONENT (AEP, UK, EE, CIS)	
FE2	1-239-634-11	ENCAPSULATED COMPONENT, AM. RF (G, IT, E, AUS, EA, MX, MY, SP, HK, JE)	
FE3	1-236-463-11	ENCAPSULATED COMPONENT (AEP, UK, EE, CIS)	
< IC >			
IC1	8-759-176-03	IC LA1835	
IC51	8-759-288-54	IC LC72130	
IC111	8-759-231-53	IC TA7805S	
IC171	8-759-165-80	IC PST600C-T	
IC201	8-759-338-81	IC uPD78013GC-652-AB8	

Ref. No.	Part No.	Description	Remark
IC301	8-759-634-51	IC M5218AP (AEP, UK, G, IT, EE)	
IC302	8-759-169-99	IC SAA6579 (AEP, UK, G, IT, EE)	
IC601	8-759-261-63	IC M66004M6FP	
< IFT >			
IFT1	1-409-636-11	TRANSFORMER, IF (CERAMIC FILTER)	
< JACK >			
J101	1-770-272-11	JACK, PIN 2P (TUNER OUT)	
< COIL >			
L1	1-407-500-00	INDUCTOR 4.7mH (AEP, UK, EE, CIS)	
L1	1-410-688-31	INDUCTOR 1.5mH (G, IT, E, AUS, EA, MX, MY, SP, HK, JE)	
L2	1-408-425-00	INDUCTOR 220uH (AEP, UK, EE, CIS)	
L3	1-410-470-11	INDUCTOR 10uH	
L4	1-410-509-11	INDUCTOR 10uH	
L5	1-410-397-21	FERRITE BEAD INDUCTOR	
L6	1-410-397-21	FERRITE BEAD INDUCTOR	
L7	1-410-397-21	FERRITE BEAD INDUCTOR	
L8	1-408-397-00	INDUCTOR 1uH (AEP, UK, G, IT)	
L9	1-410-509-11	INDUCTOR 10uH (CIS)	
L101-107	1-410-397-21	FERRITE BEAD INDUCTOR (AEP, UK, G, IT, EE, CIS, JE)	
L201-208	1-408-421-00	INDUCTOR 100uH	
< FILTER >			
LPF1	1-239-597-11	FILTER, LOW PASS	
LPF2	1-239-597-11	FILTER, LOW PASS	
< TRANSISTOR >			
Q1	8-729-230-99	TRANSISTOR 2SC2669-OY	
Q2	8-729-230-99	TRANSISTOR 2SC2669-OY	
Q3	8-729-119-76	TRANSISTOR 2SA1175-HFE (AEP, UK, EE, CIS)	
Q4	8-729-119-76	TRANSISTOR 2SA1175-HFE (AEP, UK, EE, CIS)	
Q5	8-729-900-80	TRANSISTOR DTC114ES (AEP, UK, EE, CIS)	
Q6	8-729-900-80	TRANSISTOR DTC114ES (AEP, UK, EE, CIS)	
Q7	8-729-620-05	TRANSISTOR 2SC2603-EF (AEP, UK, EE, CIS)	
Q8	8-729-900-80	TRANSISTOR DTC114ES (AEP, UK, EE, CIS)	
Q9	8-729-230-99	TRANSISTOR 2SC2669-OY	
Q10	8-729-230-99	TRANSISTOR 2SC2669-OY	
Q55	8-729-422-57	TRANSISTOR UN4111 (AEP:Made in Japan, E, AUS, EA, MX, MY, SP, HK, EE, JE, CIS)	
Q55	8-729-900-61	TRANSISTOR DTA114ES (AEP:Made in France, G, IT)	
Q121	8-729-202-67	TRANSISTOR 2SK246-GR3	
Q122	8-729-209-15	TRANSISTOR 2SD2012	

Ref. No.	Part No.	Description	Remark
Q123	8-729-900-80	TRANSISTOR DTC114ES	
Q131	8-729-620-05	TRANSISTOR 2SC2603-EF (CIS)	
Q136	8-729-900-61	TRANSISTOR DTA114ES (CIS)	
Q137	8-729-900-61	TRANSISTOR DTA114ES (CIS)	
Q141	8-729-141-83	TRANSISTOR 2SB1094-LK	
Q201	8-729-900-80	TRANSISTOR DTC114ES	
Q271	8-729-422-57	TRANSISTOR UN4111 (AEP:Made in Japan, AUS, EA, MX, MY, SP, HK, E, EE, JE, CIS)	
Q271	8-729-900-61	TRANSISTOR DTA114ES (AEP:Made in France, UK, G, IT)	
Q272	8-729-900-80	TRANSISTOR DTC114ES	
Q281	8-729-620-05	TRANSISTOR 2SC2603-EF	
< RESISTOR >			
R1	1-249-411-11	CARBON 330 5% 1/4W	
R2	1-249-411-11	CARBON 330 5% 1/4W	
R3	1-249-409-11	CARBON 220 5% 1/4W	
△R4	1-249-402-11	CARBON 56 5% 1/4W F	
R5	1-249-411-11	CARBON 330 5% 1/4W	
R6	1-249-411-11	CARBON 330 5% 1/4W	
R7	1-249-432-11	CARBON 18K 5% 1/4W	
R8	1-249-432-11	CARBON 18K 5% 1/4W	
R11	1-249-411-11	CARBON 330 5% 1/4W	
R12	1-249-429-11	CARBON 10K 5% 1/4W	
R13	1-249-442-11	CARBON 510 5% 1/4W	
△R14	1-249-403-11	CARBON 68 5% 1/4W F	
R15	1-249-411-11	CARBON 330 5% 1/4W	
R16	1-249-425-11	CARBON 4.7K 5% 1/4W	
R17	1-247-842-11	CARBON 3K 5% 1/4W	
R18	1-249-429-11	CARBON 10K 5% 1/4W	
R19	1-249-429-11	CARBON 10K 5% 1/4W	
R21	1-249-429-11	CARBON 10K 5% 1/4W	
R22	1-249-437-11	CARBON 47K 5% 1/4W	
R23	1-249-399-11	CARBON 33 5% 1/4W	
R24	1-249-425-11	CARBON 4.7K 5% 1/4W (AEP, UK, EE, CIS)	
R25	1-249-425-11	CARBON 4.7K 5% 1/4W (AEP, UK, EE, CIS)	
R26	1-249-429-11	CARBON 10K 5% 1/4W (AEP, UK, EE, CIS)	
R27	1-249-429-11	CARBON 10K 5% 1/4W (AEP, UK, EE)	
R28	1-249-432-11	CARBON 18K 5% 1/4W	
R29	1-249-411-11	CARBON 330 5% 1/4W (AEP, UK, G, IT, E, AUS, EA, MX, MY, SP, HK, EE, JE)	
R30	1-249-421-11	CARBON 2.2K 5% 1/4W (AEP, UK, EE, CIS)	
R31	1-247-863-91	CARBON 22K 5% 1/4W (AEP, UK, EE, CIS)	
R32	1-247-863-91	CARBON 22K 5% 1/4W (AEP, UK, EE, CIS)	
R33	1-247-903-00	CARBON 1M 5% 1/4W (AEP, UK, EE, CIS)	
R34	1-249-437-11	CARBON 47K 5% 1/4W (AEP, UK, EE, CIS)	
R35	1-249-417-11	CARBON 1K 5% 1/4W	
R36	1-249-417-11	CARBON 1K 5% 1/4W	
R37	1-249-411-11	CARBON 330 5% 1/4W	
R38	1-249-432-11	CARBON 18K 5% 1/4W	

The components identified by mark \triangle or dotted line with mark \triangle are critical for safety. Replace only with part number specified.

MAIN

PANEL

Ref. No.	Part No.	Description	Remark
R39	1-249-401-11	CARBON 47 5% 1/4W	
R45	1-249-425-11	CARBON 4.7K 5% 1/4W	
R46	1-249-425-11	CARBON 4.7K 5% 1/4W	
R47	1-249-437-11	CARBON 47K 5% 1/4W	(AEP, UK, EE, CIS)
R49	1-249-441-11	CARBON 100K 5% 1/4W	
R51	1-249-429-11	CARBON 10K 5% 1/4W	
R56	1-249-417-11	CARBON 1K 5% 1/4W	
R58	1-249-417-11	CARBON 1K 5% 1/4W	
△R60	1-249-405-11	CARBON 100 5% 1/4W	F
R61	1-249-423-11	CARBON 3.3K 5% 1/4W	
R62	1-249-425-11	CARBON 4.7K 5% 1/4W	
R63	1-249-425-11	CARBON 4.7K 5% 1/4W	
R64	1-249-425-11	CARBON 4.7K 5% 1/4W	
R65	1-249-425-11	CARBON 4.7K 5% 1/4W	
R66	1-249-423-11	CARBON 3.3K 5% 1/4W	(AEP, UK, EE, CIS)
R67	1-247-863-91	CARBON 22K 5% 1/4W	(AEP, UK, EE, CIS)
R68	1-249-425-11	CARBON 4.7K 5% 1/4W	(AEP, UK, EE, CIS)
R69	1-249-425-11	CARBON 4.7K 5% 1/4W	(AEP, UK, EE, CIS)
R70	1-249-425-11	CARBON 4.7K 5% 1/4W	(AEP, UK, EE, CIS)
R71	1-249-425-11	CARBON 4.7K 5% 1/4W	
R72	1-247-807-31	CARBON 100 5% 1/4W	
R73	1-249-425-11	CARBON 4.7K 5% 1/4W	(AEP, UK, EE, CIS)
R131	1-249-413-11	CARBON 470 5% 1/4W	(CIS)
R136	1-249-425-11	CARBON 4.7K 5% 1/4W	(CIS)
R137	1-249-429-11	CARBON 10K 5% 1/4W	(CIS)
R141	1-249-421-11	CARBON 2.2K 5% 1/4W	
R142	1-249-441-11	CARBON 100K 5% 1/4W	
△R151	1-247-741-11	CARBON 150 5% 1/2W	F
△R152	1-247-741-11	CARBON 150 5% 1/2W	F
△R153	1-247-741-11	CARBON 150 5% 1/2W	F
△R154	1-247-741-11	CARBON 150 5% 1/2W	F
R161	1-249-441-11	CARBON 100K 5% 1/4W	
R162	1-249-413-11	CARBON 470 5% 1/4W	
R163	1-249-413-11	CARBON 470 5% 1/4W	(AEP, UK, G, IT, E, AUS, EA, MX, MY, SP, HK, EE, JE)
R171	1-249-417-11	CARBON 1K 5% 1/4W	
R181	1-247-807-31	CARBON 100 5% 1/4W	
R191	1-249-411-11	CARBON 330 5% 1/4W	
R201	1-249-417-11	CARBON 1K 5% 1/4W	
R202	1-249-417-11	CARBON 1K 5% 1/4W	
R203	1-249-417-11	CARBON 1K 5% 1/4W	
R204	1-249-417-11	CARBON 1K 5% 1/4W	
R205	1-249-417-11	CARBON 1K 5% 1/4W	
R206	1-249-417-11	CARBON 1K 5% 1/4W	
R212	1-249-417-11	CARBON 1K 5% 1/4W	
R213	1-249-417-11	CARBON 1K 5% 1/4W	
R214	1-249-417-11	CARBON 1K 5% 1/4W	
R215	1-249-417-11	CARBON 1K 5% 1/4W	
R216	1-249-429-11	CARBON 10K 5% 1/4W	

Ref. No.	Part No.	Description	Remark
R217	1-249-429-11	CARBON 10K 5% 1/4W	
R222	1-247-893-11	CARBON 390K 5% 1/4W	
R224	1-249-423-11	CARBON 3.3K 5% 1/4W	
R225	1-249-423-11	CARBON 3.3K 5% 1/4W	
R226	1-249-423-11	CARBON 3.3K 5% 1/4W	
R227	1-249-441-11	CARBON 100K 5% 1/4W	
R228	1-249-441-11	CARBON 100K 5% 1/4W	
R229	1-247-807-31	CARBON 100 5% 1/4W	
R230	1-247-807-31	CARBON 100 5% 1/4W	
R231	1-249-425-11	CARBON 4.7K 5% 1/4W	
R271	1-249-429-11	CARBON 10K 5% 1/4W	
R281	1-249-429-11	CARBON 10K 5% 1/4W	
R282	1-249-425-11	CARBON 4.7K 5% 1/4W	
R283	1-249-393-11	CARBON 10 5% 1/4W	
R284	1-249-429-11	CARBON 10K 5% 1/4W	
R285	1-249-393-11	CARBON 10 5% 1/4W	
R301	1-249-441-11	CARBON 100K 5% 1/4W	(AEP, UK, G, IT, EE)
R302	1-249-441-11	CARBON 100K 5% 1/4W	(AEP, UK, G, IT, EE)
R303	1-249-441-11	CARBON 100K 5% 1/4W	(AEP, UK, G, IT, EE)
R304	1-249-441-11	CARBON 100K 5% 1/4W	(AEP, UK, G, IT, EE)
R305	1-249-429-11	CARBON 10K 5% 1/4W	(AEP, UK, G, IT, EE)
R306	1-249-426-11	CARBON 5.6K 5% 1/4W	(AEP, UK, G, IT, EE)
R308	1-249-421-11	CARBON 2.2K 5% 1/4W	(AEP, UK, G, IT, EE)
< VARIABLE RESISTOR >			
RV1	1-238-601-11	RES, ADJ, CARBON 22K	(FM TUNING LEVEL)
RV2	1-238-600-11	RES, ADJ, CARBON 10K	(AM TUNING LEVEL)
< TERMINAL >			
TM1	1-537-488-11	TERMINAL BOARD (ANT)	(ANTENNA) (AEP, UK, G, IT, EE, CIS)
TM1	1-537-238-21	TERMINAL BOARD (ANTENNA)	(E, AUS, EA, MX, MY, SP, HK, JE)
< VIBRATOR >			
X201	1-579-175-11	VIBRATOR, CERAMIC	(10MHz)
X202	1-567-098-41	VIBRATOR, CRYSTAL	(32.768kHz)
X301	1-579-900-21	VIBRATOR, CRYSTAL	(4.332MHz) (AEP, UK, G, IT, EE)
XT51	1-760-549-11	VIBRATOR, CRYSTAL	(4.5MHz)

*	A-4377-038-A	PANEL BOARD, COMPLETE	*****
< CAPACITOR >			
C601	1-124-584-00	ELECT	100uF 20% 10V
C602	1-164-159-11	CERAMIC	0.1uF 50V
C603	1-124-248-00	ELECT	22uF 20% 35V
C604	1-164-159-11	CERAMIC	0.1uF 50V

The components identified by mark Δ or dotted line with mark Δ are critical for safety. Replace only with part number specified.

PANEL

Ref. No.	Part No.	Description	Remark	Ref. No.	Part No.	Description	Remark
C605	1-162-282-31	CERAMIC	100PF 10% 50V			< RESISTOR >	
C606	1-162-282-31	CERAMIC	100PF 10% 50V	R601	1-249-413-11	CARBON 470 5% 1/4W	
C607	1-162-282-31	CERAMIC	100PF 10% 50V	R602	1-249-415-11	CARBON 680 5% 1/4W	
C608	1-162-282-31	CERAMIC	100PF 10% 50V	R603	1-249-417-11	CARBON 1K 5% 1/4W	
C609	1-162-294-31	CERAMIC	0.001uF 10% 50V	R604	1-249-419-11	CARBON 1.5K 5% 1/4W	
C610	1-162-282-31	CERAMIC	100PF 10% 50V	R605	1-249-421-11	CARBON 2.2K 5% 1/4W	
C611	1-162-282-31	CERAMIC	100PF 10% 50V	R606	1-249-425-11	CARBON 4.7K 5% 1/4W	
C612	1-162-282-31	CERAMIC	100PF 10% 50V	R607	1-249-413-11	CARBON 470 5% 1/4W	
C613	1-162-282-31	CERAMIC	100PF 10% 50V	R608	1-249-415-11	CARBON 680 5% 1/4W	
C614	1-162-282-31	CERAMIC	100PF 10% 50V	R609	1-249-417-11	CARBON 1K 5% 1/4W	
C615	1-162-282-31	CERAMIC	100PF 10% 50V	R610	1-249-419-11	CARBON 1.5K 5% 1/4W	
C616	1-162-282-31	CERAMIC	100PF 10% 50V	R611	1-249-421-11	CARBON 2.2K 5% 1/4W	
C617	1-162-282-31	CERAMIC	100PF 10% 50V	R612	1-249-425-11	CARBON 4.7K 5% 1/4W	
C618	1-162-282-31	CERAMIC	100PF 10% 50V	R614	1-249-409-11	CARBON 220 5% 1/4W	
C619	1-162-282-31	CERAMIC	100PF 10% 50V	R615	1-249-409-11	CARBON 220 5% 1/4W	
C620	1-162-282-31	CERAMIC	100PF 10% 50V	R616	1-249-411-11	CARBON 330 5% 1/4W	
C622	1-162-282-31	CERAMIC	100PF 10% 50V	R617	1-249-411-11	CARBON 330 5% 1/4W	
C623	1-162-282-31	CERAMIC	100PF 10% 50V	R618	1-249-411-11	CARBON 330 5% 1/4W	
C624	1-162-282-31	CERAMIC	100PF 10% 50V	R620	1-247-807-31	CARBON 100 5% 1/4W	
C625	1-136-173-00	FILM	0.47uF 5% 50V	R621	1-249-417-11	CARBON 1K 5% 1/4W	
C626	1-136-173-00	FILM	0.47uF 5% 50V	R622	1-249-417-11	CARBON 1K 5% 1/4W	
		< CONNECTOR >		R623	1-249-417-11	CARBON 1K 5% 1/4W	
* CN601	1-568-862-11	SOCKET, CONNECTOR 19P		R624	1-249-434-11	CARBON 27K 5% 1/4W	
		< DIODE >		R625	1-249-429-11	CARBON 10K 5% 1/4W	
D601	8-719-812-44	LED TLO124 (ENTER/NEXT)				< SWITCH >	
D602	8-719-812-44	LED TLO124 (MULTI CONTROLLER)		S601	1-554-303-21	SWITCH, TACTILE (MEMORY) (AUS, E, EA, MX, MY, SP, HK, JE, CIS)	
D603	8-719-032-87	LED SEL5420E-TP15 (SLEEP)		S601	1-554-303-21	SWITCH, TACTILE (EON) (AEP, UK, G, IT, EE)	
D604	8-719-812-44	LED TLO124 (REC)		S602	1-554-303-21	SWITCH, TACTILE (STEREO/MONO) (AUS, E, EA, MX, MY, SP, HK, JE, CIS)	
D605	8-719-032-87	LED SEL5420E-TP15 (DAILY)		S602	1-554-303-21	SWITCH, TACTILE (PTY) (AEP, UK, G, IT, EE)	
		< FILTER >		S603	1-554-303-21	SWITCH, TACTILE (DISPLAY)	
FL601	1-517-368-11	INDICATOR TUBE, FLUORESCENT		S604	1-554-303-21	SWITCH, TACTILE (SLEEP)	
		< COIL >		S605	1-554-303-21	SWITCH, TACTILE (REC)	
L601	1-408-421-00	INDUCTOR 100uH		S606	1-554-303-21	SWITCH, TACTILE (DAILY)	
L602	1-408-421-00	INDUCTOR 100uH		S607	1-554-303-21	SWITCH, TACTILE (TIMER SET)	
		< TRANSISTOR >		S608	1-554-303-21	SWITCH, TACTILE (ENTER/NEXT)	
Q601	8-729-422-57	TRANSISTOR UN4111 (AEP:Made in Japan, E, AUS, EA, MX, MY, SP, HK, EE, JE, CIS)		S609	1-554-303-21	SWITCH, TACTILE (BAND)	
Q601	8-729-900-61	TRANSISTOR DTA114ES (AEP:Made in France, UK, IT, G)		S610	1-554-303-21	SWITCH, TACTILE (PRESET) (AUS, E, EA, MX, MY, SP, HK, JE, CIS)	
Q602	8-729-422-57	TRANSISTOR UN4111 (AEP:Made in Japan, E, AUS, EA, MX, MY, SP, HK, EE, JE, CIS)		S610	1-554-303-21	SWITCH, TACTILE (MEMORY) (AEP, UK, G, IT, EE)	
Q602	8-729-900-61	TRANSISTOR DTA114ES (AEP:Made in France, UK, IT, G)		S611	1-554-303-21	SWITCH, TACTILE (AUTO) (AUS, E, EA, MX, MY, SP, HK, JE, CIS)	
				S611	1-554-303-21	SWITCH, TACTILE (TUNING MODE) (AEP, UK, G, IT, EE)	
				S612	1-554-303-21	SWITCH, TACTILE (MANUAL) (AUS, E, EA, MX, MY, SP, HK, JE, CIS)	

PANEL POLAR

Ref. No.	Part No.	Description	Remark
S612	1-554-303-21	SWITCH, TACTILE (STEREO/MONO) (AEP, UK, G, IT, EE)	
S613	1-554-303-21	SWITCH, TACTILE (CHARACTOR)	
S614	1-554-303-21	SWITCH, TACTILE (CLOCK SET)	
S615	1-467-914-11	ENCODER, ROTARY (MULTI CONTROLLER)	

A-4369-349-A POLAR BOARD, COMPLETE (CIS)			

< CAPACITOR >			
C1701	1-162-294-31	CERAMIC 0.001uF 10%	50V (CIS)
C1702	1-130-014-00	FILM 470PF 5%	50V (CIS)
C1703	1-124-902-00	ELECT 0.47uF 20%	50V (CIS)
C1704	1-124-902-00	ELECT 0.47uF 20%	50V (CIS)
C1705	1-164-098-11	CERAMIC 0.047uF	12V (CIS)
C1706	1-124-903-11	ELECT 1uF 20%	50V (CIS)
C1707	1-162-288-31	CERAMIC 330PF 10%	50V (CIS)
C1710	1-130-471-00	MYLAR 0.001uF 5%	50V (CIS)
C1710	1-137-364-11	FILM 0.001uF 5%	50V (CIS)
C1711	1-130-471-00	MYLAR 0.001uF 5%	50V (CIS)
C1711	1-137-364-11	FILM 0.001uF 5%	50V (CIS)
C1712	1-130-736-11	FILM 0.01uF 5%	50V (CIS)
C1713	1-130-736-11	FILM 0.01uF 5%	50V (CIS)
C1714	1-124-903-11	ELECT 1uF 20%	50V (CIS)
C1715	1-124-903-11	ELECT 1uF 20%	50V (CIS)
C1716	1-124-903-11	ELECT 1uF 20%	50V (CIS)
C1719	1-124-477-11	ELECT 47uF 20%	25V (CIS)
C1720	1-162-306-11	CERAMIC 0.01uF 30%	16V (CIS)
C1723	1-162-306-11	CERAMIC 0.01uF 30%	16V (CIS)
C1724	1-162-306-11	CERAMIC 0.01uF 30%	16V (CIS)
C1725	1-124-477-11	ELECT 47uF 20%	25V (CIS)
C1726	1-124-903-11	ELECT 1uF 20%	50V (CIS)
C1727	1-124-903-11	ELECT 1uF 20%	50V (CIS)
C1728	1-104-792-51	ELECT 33uF 20%	16V (CIS)
< CONNECTOR >			
* CN2	1-568-832-11	SOCKET, CONNECTOR 13P	(CIS)
* CN1701	1-568-832-11	SOCKET, CONNECTOR 13P	(CIS)
< TRIMMER >			
CT1701	1-141-260-00	CAP, TRIMMER 50PF	(CIS)
< DIODE >			
D1701	8-719-987-63	DIODE 1N4148M	(CIS)
D1703	8-719-987-63	DIODE 1N4148M	(CIS)
D1704	8-719-987-63	DIODE 1N4148M	(CIS)
D1705	8-719-987-63	DIODE 1N4148M	(CIS)

Ref. No.	Part No.	Description	Remark
< IC >			
IC1701	8-759-063-04	IC IR3R42	(CIS)
IC1703	8-759-140-53	IC uPD4053BC	(CIS)
< COIL >			
L1701	1-409-497-11	COIL (FILTER)	(CIS)
< TRANSISTOR >			
Q1701	8-729-900-61	TRANSISTOR DTA114ES	(CIS)
Q1702	8-729-900-80	TRANSISTOR DTC114ES	(CIS)
Q1704	8-729-900-80	TRANSISTOR DTC114ES	(CIS)
< RESISTOR >			
R1701	1-247-863-91	CARBON 22K 5%	1/4W (CIS)
R1702	1-249-435-11	CARBON 33K 5%	1/4W (CIS)
R1703	1-249-427-11	CARBON 6.8K 5%	1/4W (CIS)
R1704	1-247-858-11	CARBON 13K 5%	1/4W (CIS)
R1705	1-249-417-11	CARBON 1K 5%	1/4W (CIS)
R1706	1-249-417-11	CARBON 1K 5%	1/4W (CIS)
R1707	1-249-441-11	CARBON 100K 5%	1/4W (CIS)
R1708	1-249-440-11	CARBON 82K 5%	1/4W (CIS)
R1709	1-249-437-11	CARBON 47K 5%	1/4W (CIS)
R1710	1-249-429-11	CARBON 10K 5%	1/4W (CIS)
R1711	1-249-429-11	CARBON 10K 5%	1/4W (CIS)
R1714	1-249-426-11	CARBON 5.6K 5%	1/4W (CIS)
R1715	1-249-426-11	CARBON 5.6K 5%	1/4W (CIS)
R1716	1-249-441-11	CARBON 100K 5%	1/4W (CIS)
R1717	1-249-441-11	CARBON 100K 5%	1/4W (CIS)
R1718	1-249-429-11	CARBON 10K 5%	1/4W (CIS)
R1719	1-249-429-11	CARBON 10K 5%	1/4W (CIS)
R1721	1-249-434-11	CARBON 27K 5%	1/4W (CIS)
R1722	1-249-441-11	CARBON 100K 5%	1/4W (CIS)
< VARIABLE RESISTOR >			
RV1701	1-238-600-11	RES, ADJ, CARBON 10K	(SUB CARRIER) (CIS)
RV1702	1-238-599-11	RES, ADJ, CARBON 4.7K	(VCO FREQUENCY) (CIS)
< TEST PIN >			
* TP1701	1-560-061-00	PIN, CONNECTOR 3P	(CIS)
* TP1702	1-560-061-00	PIN, CONNECTOR 3P	(CIS)

<u>Ref. No.</u>	<u>Part No.</u>	<u>Description</u>	<u>Remark</u>
		MISCELLANEOUS *****	
7	1-765-242-31	WIRE (FLAT TYPE) (19 CORE)	
15	1-751-688-11	WIRE (FLAT TYPE) (13 CORE) (CIS)	
E101	1-537-770-11	TERMINAL BOARD, GROUND	
E102	1-537-770-11	TERMINAL BOARD, GROUND	

		ACCESSORIES & PACKING MATERIALS *****	
*	4-972-591-01	CUSHION (ST) (FRONT) (AEP:Made in France, UK, IT, G)	
*	4-972-592-01	CUSHION (ST) (REAR) (AEP:Made in France, UK, IT, G)	
*	4-972-593-01	INDIVIDUAL CARTON (AEP:Made in France, UK, IT, G)	

		***** HARDWARE LIST *****	
#1	7-685-646-79	SCREW +BVTP 3×8 TYPE2 N-S	
#2	7-685-871-01	SCREW +BVTT 3×6 (S)	

